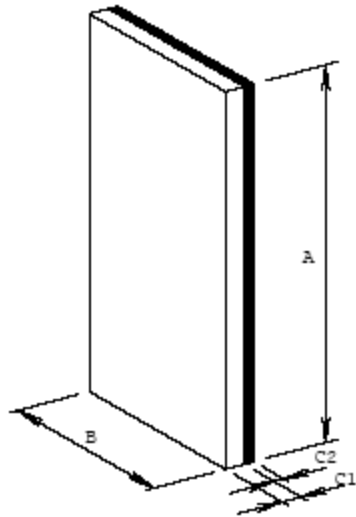
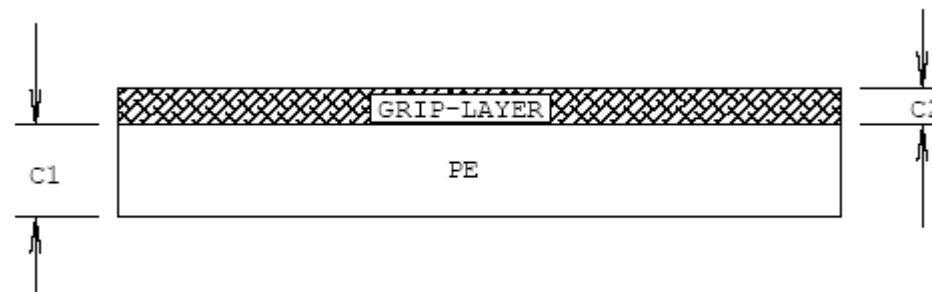


EKOGRIP "F-CE"

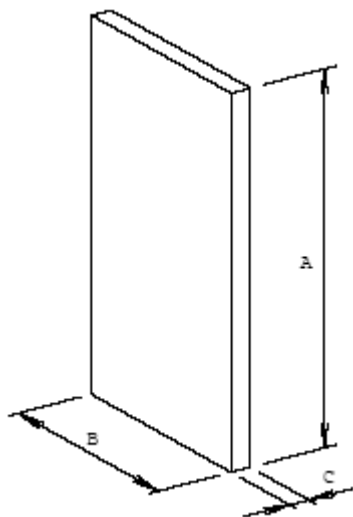


Description (mm)	Dim. A (mm)	Dim. B (mm)	Dim. C1 (mm)	Dim. C2 (mm)	Weight./Sheet (kg)	Quantity / Palette	Color	Surface
7 + 2	3.000	1.500	6	2	39,82	40 pieces	anthracite/anthracite	Grit
10 + 2	3.000	1.500	9	2	52,65	30 pieces	anthracite/anthracite	Grit
13 + 2	3.000	1.500	12	2	65,47	25 pieces	anthracite/anthracite	Grit
16 + 2	3.000	1.500	15	2	78,30	20 pieces	anthracite/anthracite	Grit

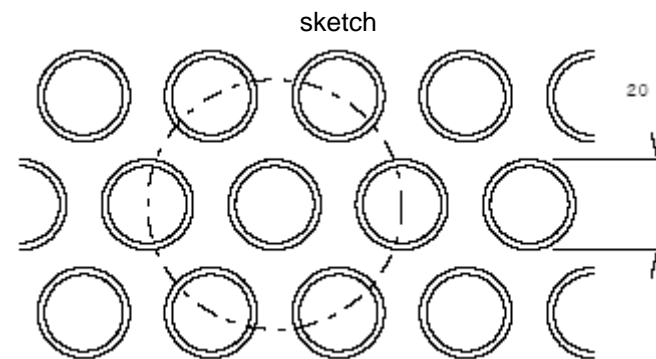
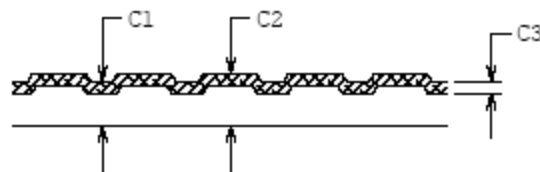
C2 = GRIP-LAYER



EKOGRIP "F-CE" + NAP



Description (mm)	Dim. A (mm)	Dim. B (mm)	Dim.C1/C2 (mm)	Dim. C3 (mm)	Weight./Sheet (kg)	Quantity / Palette	Color	Surface
7 + 2	3.000	1.500	8/10	2	39,82	40 pieces	anthracite/anthracite	Nap/Grit
10 + 2	3.000	1.500	11/13	2	52,65	30 pieces	anthracite/anthracite	Nap /Grit
11 + 2	3.000	1.500	14/16	2	65,47	25 pieces	anthracite/anthracite	Nap /Grit
16 + 2	3.000	1.500	17/19	2	78,30	20 pieces	anthracite/anthracite	Nap /Grit



Diameter limb = 55 mm